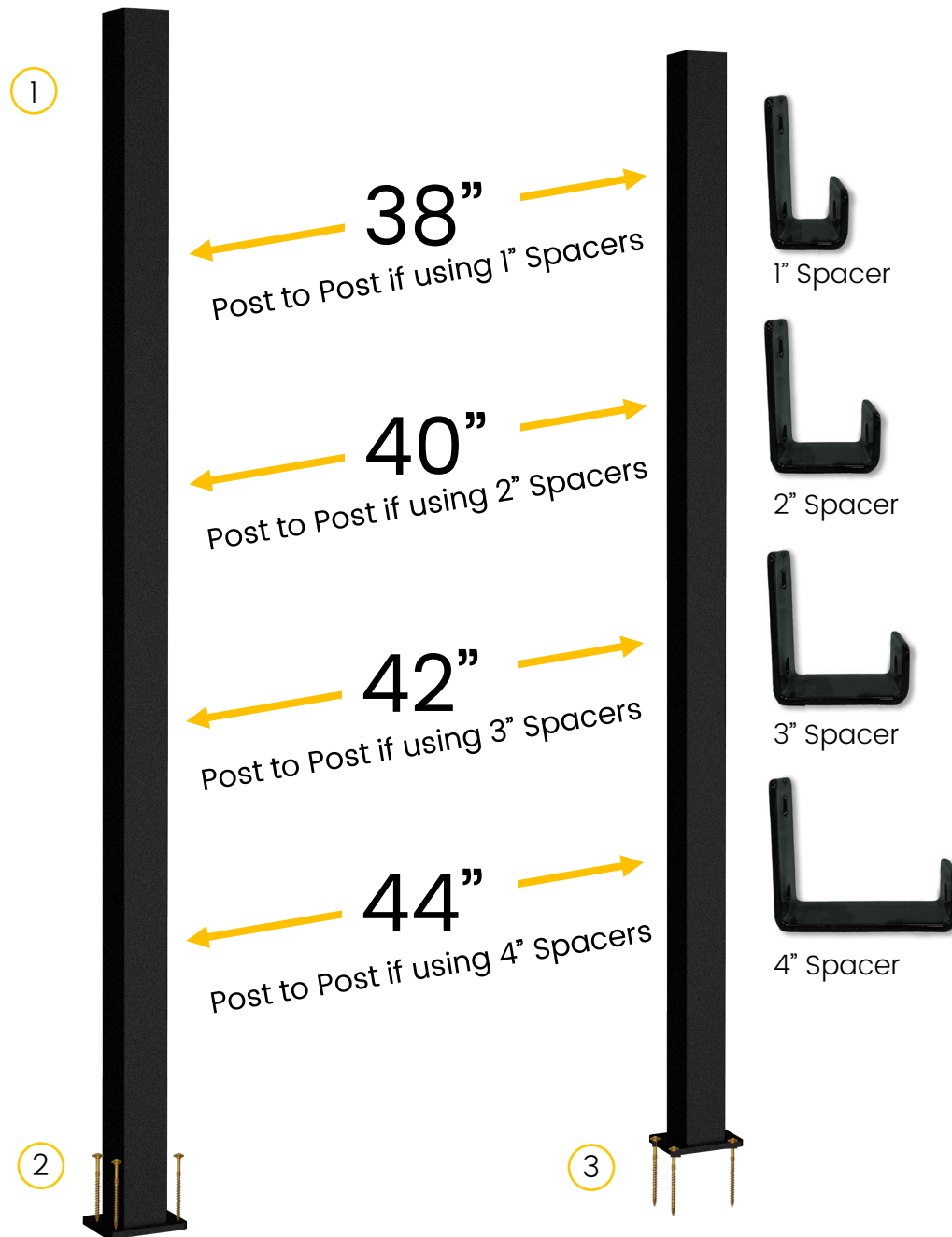
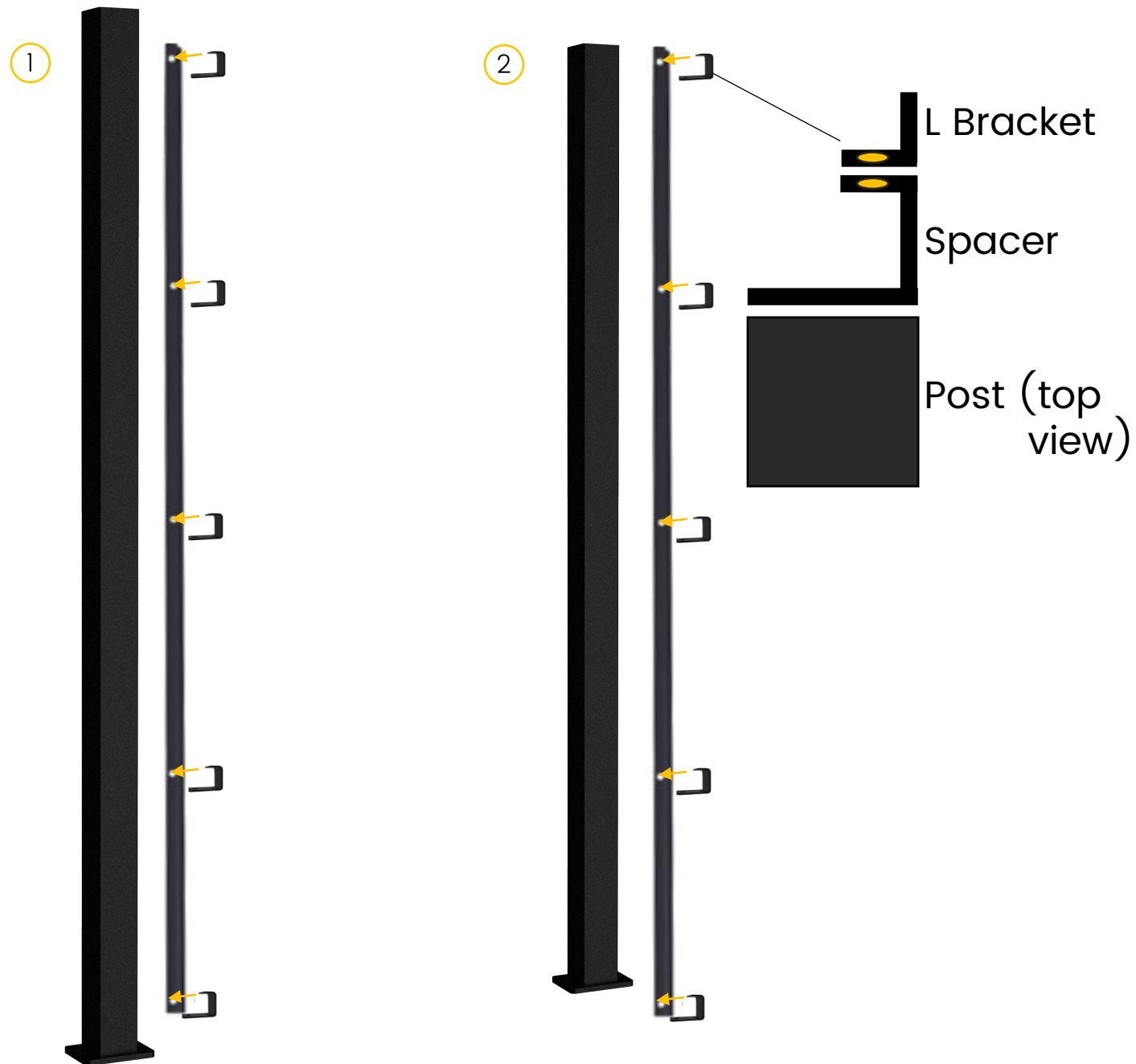


STEP 1 – SCREEN POSTS



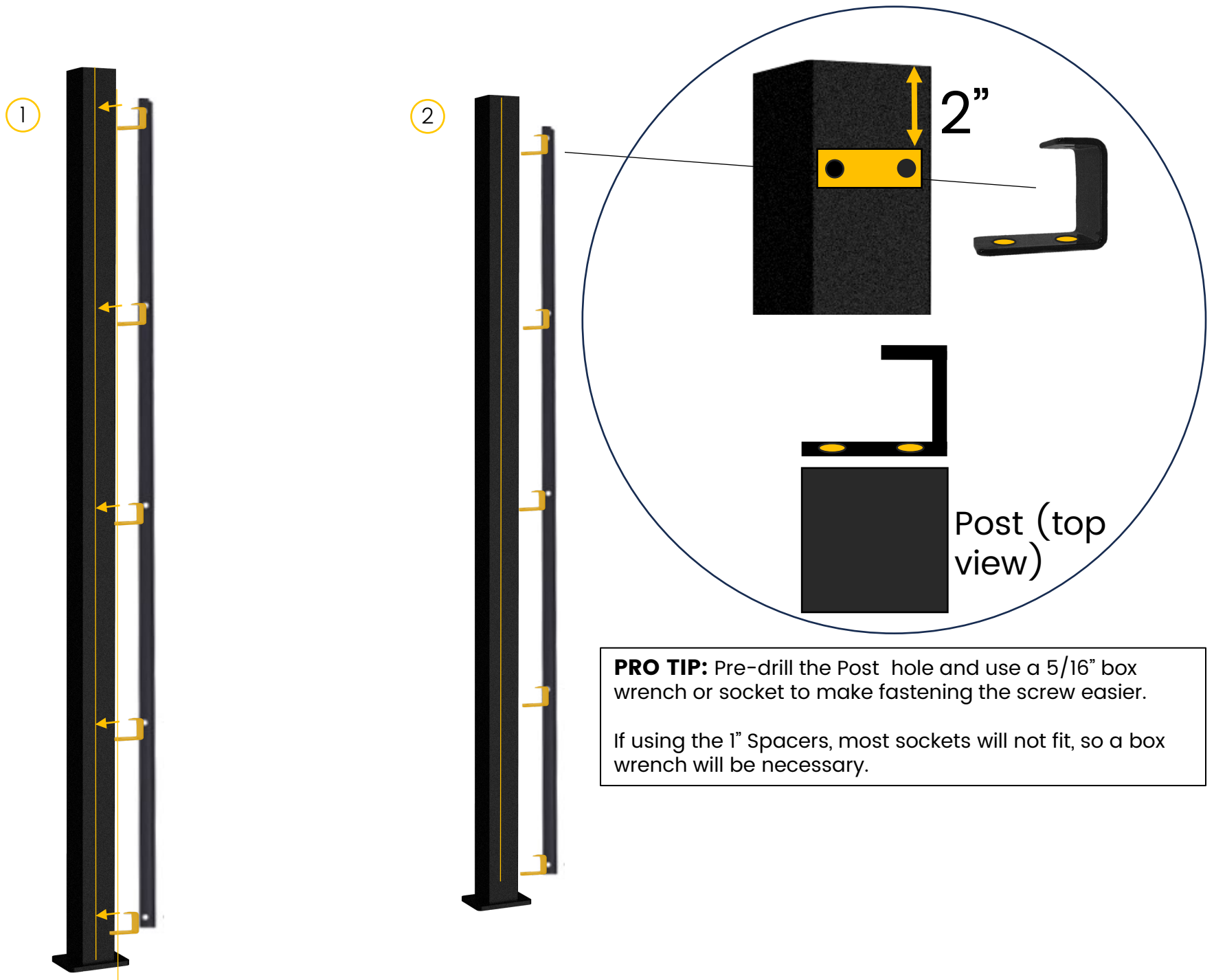
Measuring Post to Post (not base to base), mount Screen Posts 36" apart plus the distance of 2 Spacers being installed.
Fasten to deck substructure using (4) structural deck screws / Screen Post.

STEP 2 – L BRACKETS TO SPACERS



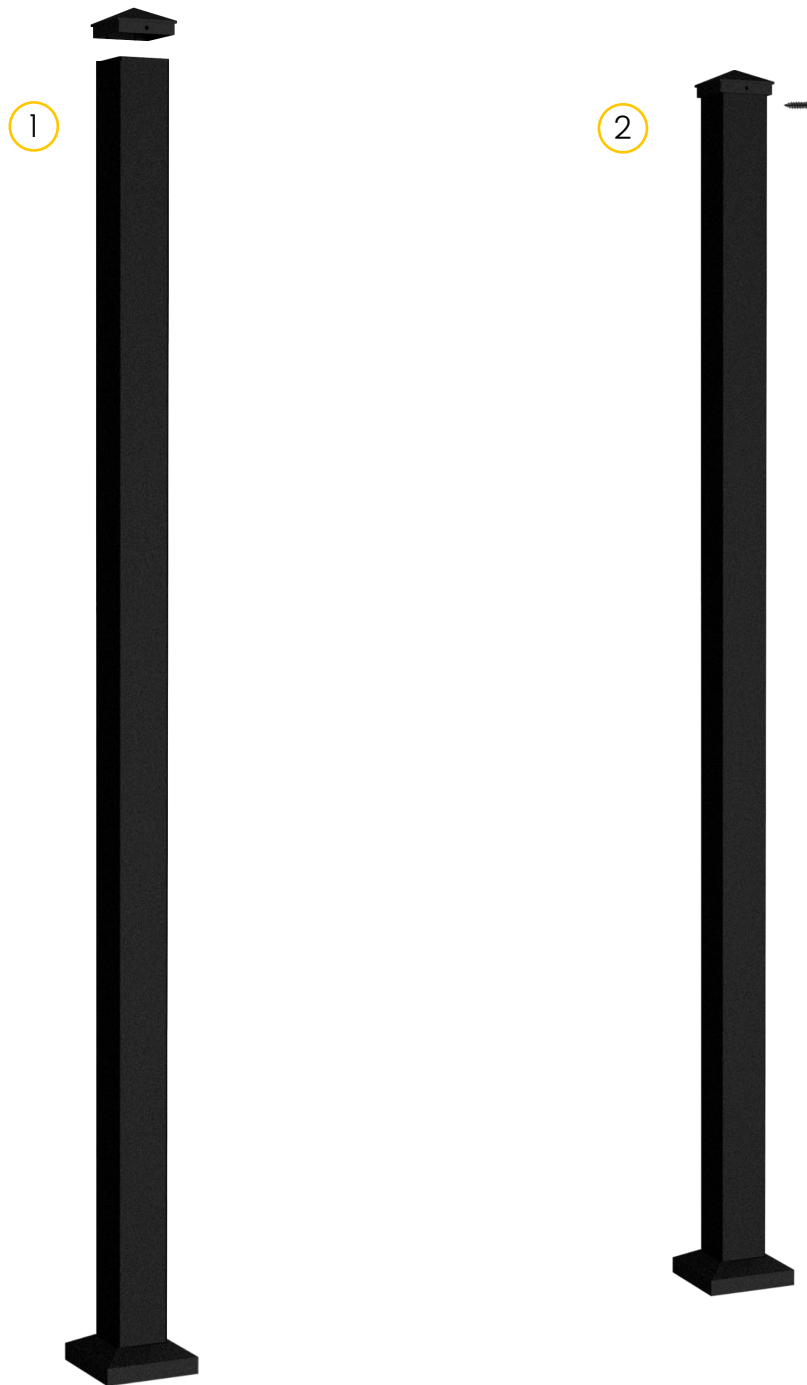
Attach the side of the Spacers with a single hole horizontally to the L Brackets using (5) nuts and bolts per Bracket.

STEP 3 – L BRACKETS TO POSTS



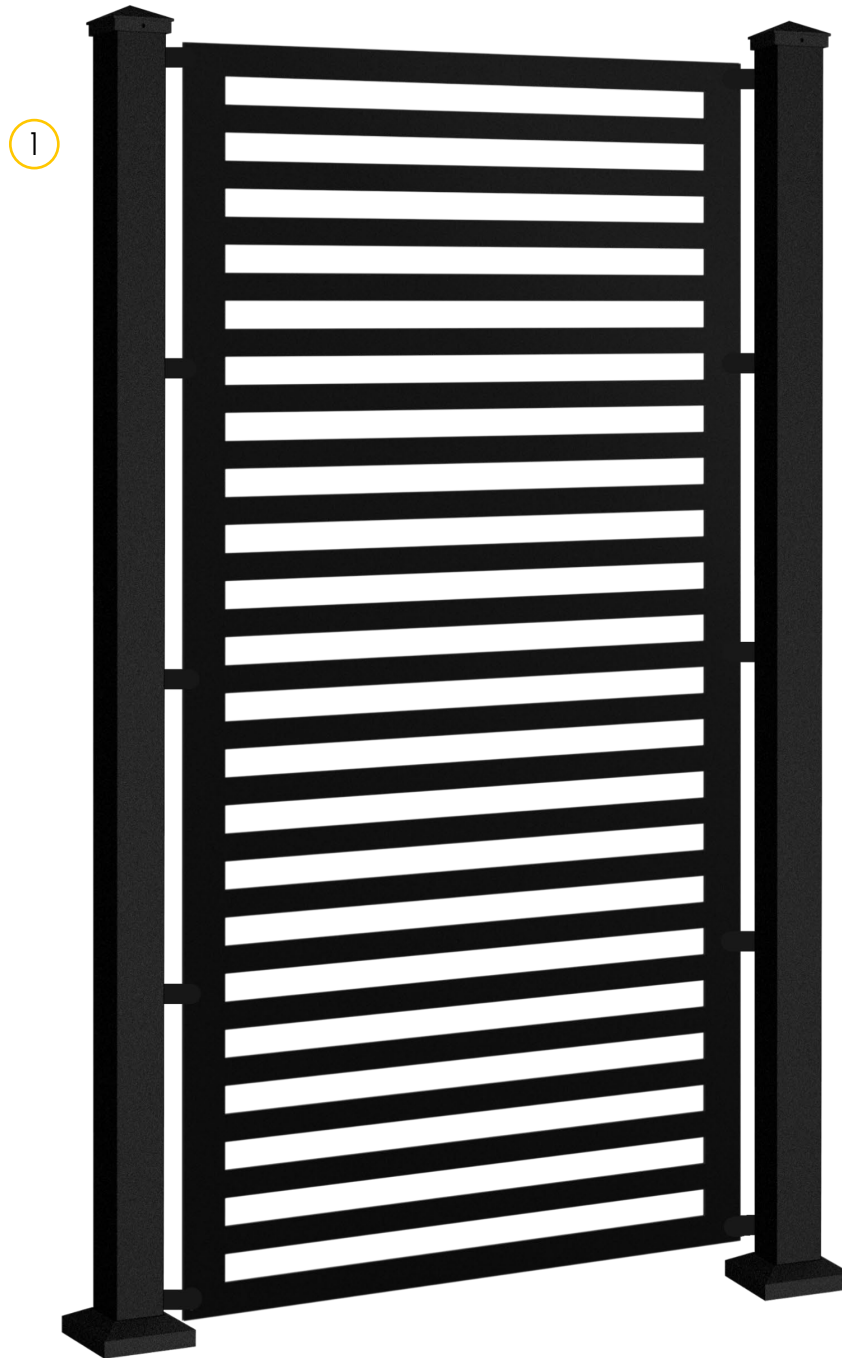
Measure and mark the Post 2" from the top. Line up the top of the Spacer (on the side with 2 holes) to the marked line and center to the Post horizontally. Attach to the Post with 2 self-tapping screws. Continue to center and fasten all Spacers down the length of the Post.

STEP 5 – POST CAPS



Place Post Caps on top of Post.
Press down firmly or tap with a rubber mallet to ensure secure fit. Fasten (1) supplied screw through hole in Post Cap.

STEP 6 – INSTALL SCREEN



Place Screen against L Brackets ensuring all 5 holes line up.
Place supplied (10) bolts through holes and place nut on
backside. Tighten until firmly secure.

STEP 6 – ENJOY



Congratulations, you are now ready to enjoy your Sunbelly Privacy Screen(s).